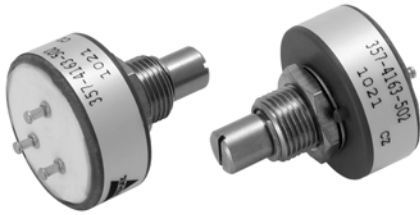


7/8" (22.2 mm) Conductive Plastic Potentiometer, Bushing Mount Type



FEATURES

- 7/8" diameter single turn
- Compact size, advanced design technology
- Offer a cost effective solution to your potentiometer requirements
- Suitable model for all industrial applications
- Compliant to RoHS Directive 2002/95/EC



ELECTRICAL SPECIFICATIONS		
PARAMETER		
Resistance	Standard range, 1 kΩ to 50 kΩ	
Tolerance	STANDARD ± 20 %	SPECIAL TO ± 10 %
Linearity (Independent)	STANDARD ± 2.0 %	SPECIAL ± 1.0 %
Output Smoothness	0.1 % maximum	
TCR	± 600 ppm/°C maximum	
Power Rating	1.0 W at 70 °C derated to 0 W at 125 °C	
Electrical Travel	340° ± 3°	
End Voltage	0.5 % maximum	
Dielectric Withstanding Voltage	1000 V _{RMS} , 60 Hz	
Insulation Resistance	1000 MΩ, 500 V _{DC}	

MECHANICAL SPECIFICATIONS		
PARAMETER		
Rotation	360° continuous (optional mechanical stops 340° ± 3°)	
Mounting	3/8 - 32 UNEF - 2A	
Operating Torque Maximum	Starting and running 3.68 mNm (0.5 oz. - in)	
Shaft Tolerance Maximum		
Runout	0.13 mm (0.005")	
End Play	0.25 mm (0.010")	
Radial Play	0.13 mm (0.005")	
Weight	17.5 g (0.62 oz.)	

ORDERING INFORMATION/DESCRIPTION								
357	B	0	10K	20 %	A	BO50	0 P 22	e4
MODEL	STYLE	FEATURES	OHMIC VALUE	TOLERANCE ON OHMIC VALUE	LINEARITY	PACKAGING	SHAFT TYPE	LEAD
	Bushing	0 Non turn pin and continuous rotation				Box of 50 pieces	Shaft diameter 0 = 6.0 mm or 1 = 6.35 mm (1/4")	Finish
		1 No non turn pin and continuous rotation	From 1K to 50 K	± 10 % or ± 20 %	X: ± 2 % A: ± 1 %		Shaft type P = Plain S = Slotted FMF (from Mounting face)	
		2 Non turn pin, with stops on rotation					Range from 12 mm to 75 mm in 1 mm increments	
		3 No non turn pin with stops on rotation						

SAP PART NUMBERING GUIDELINES						
357B	2	203	M	X	B25	1S22
MODEL	FEATURES	OHMIC VALUE	TOLERANCE ON OHMIC VALUE	LINEARITY	PACKAGING	SHAFT TYPE
		203 = 20K	M: ± 20 %/K: ± 10 %	X: ± 2 %	Box of 50 pieces	

Model 357

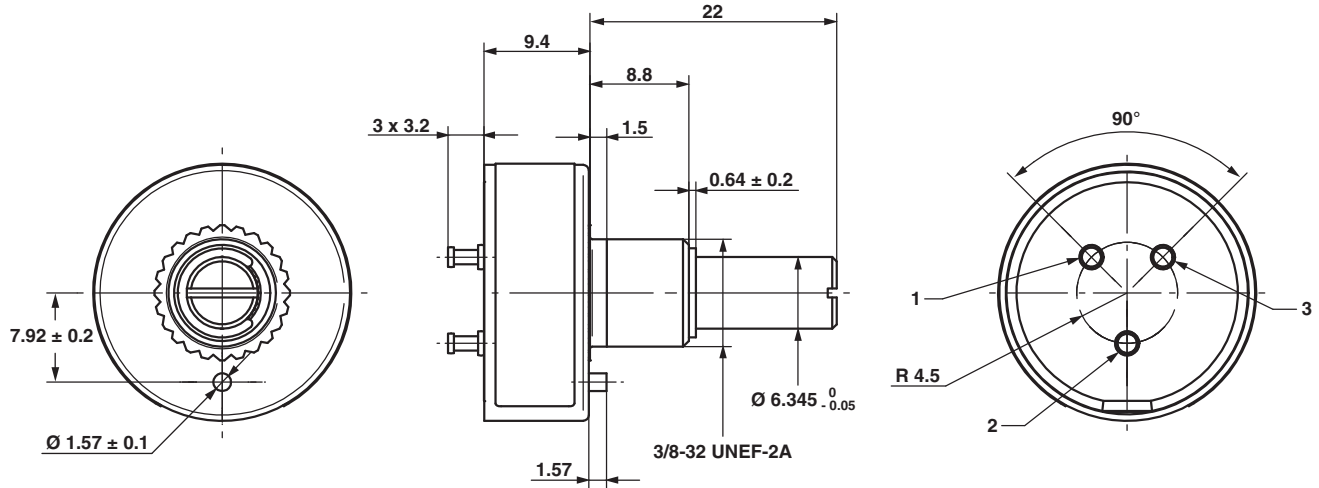
Vishay Spectrol

7/8" (22.2 mm) Conductive Plastic
Potentiometer, Bushing Mount Type

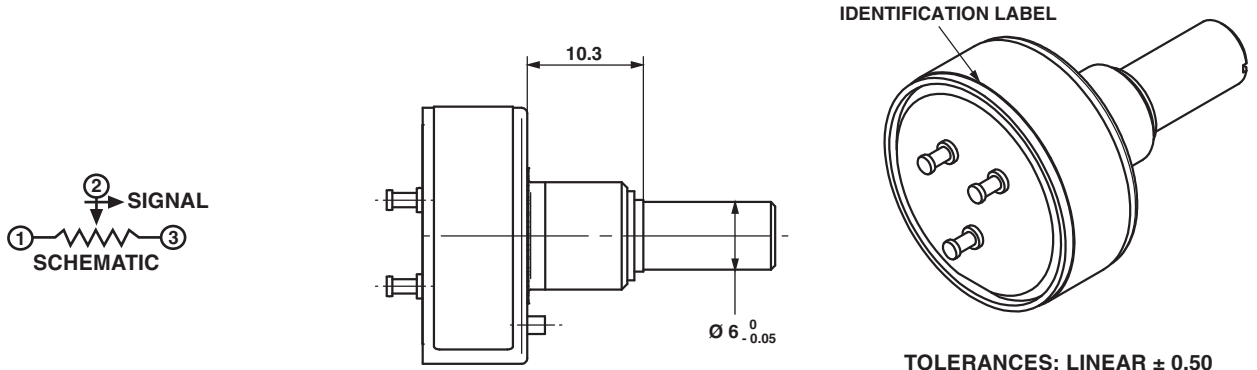


DIMENSIONS in millimeters

Ø 6.35 mm SHAFT VERSION



Ø 6.0 mm SHAFT VARIATION: METRIC



ENVIRONMENTAL SPECIFICATIONS	
Vibration	15 g, 10 Hz to 2000 Hz
Shock	50 g
Load Life	1000 h
Storage Temperature Range	- 55 °C to + 125 °C
Life	5 000 000 shaft revolutions
Materials	
Housing	Thermoplastic housing
Bushing	Brass, nickel plated
Rear Lid	Alumina
Shaft	Stainless steel
Terminals	Turret type, solder plated
Bushing Mount Hardware	
Lockwasher Internal Tooth	Steel, nickel plated
Panel Nut	Brass nickel plated

MARKING	
Unit Identification	Manufacturer's name and model number, resistance value and tolerance, linearity specification date code and terminal identification

RESISTANCE VALUE	
Ohms	1K, 2K, 5K, 10K, 20K, 50K