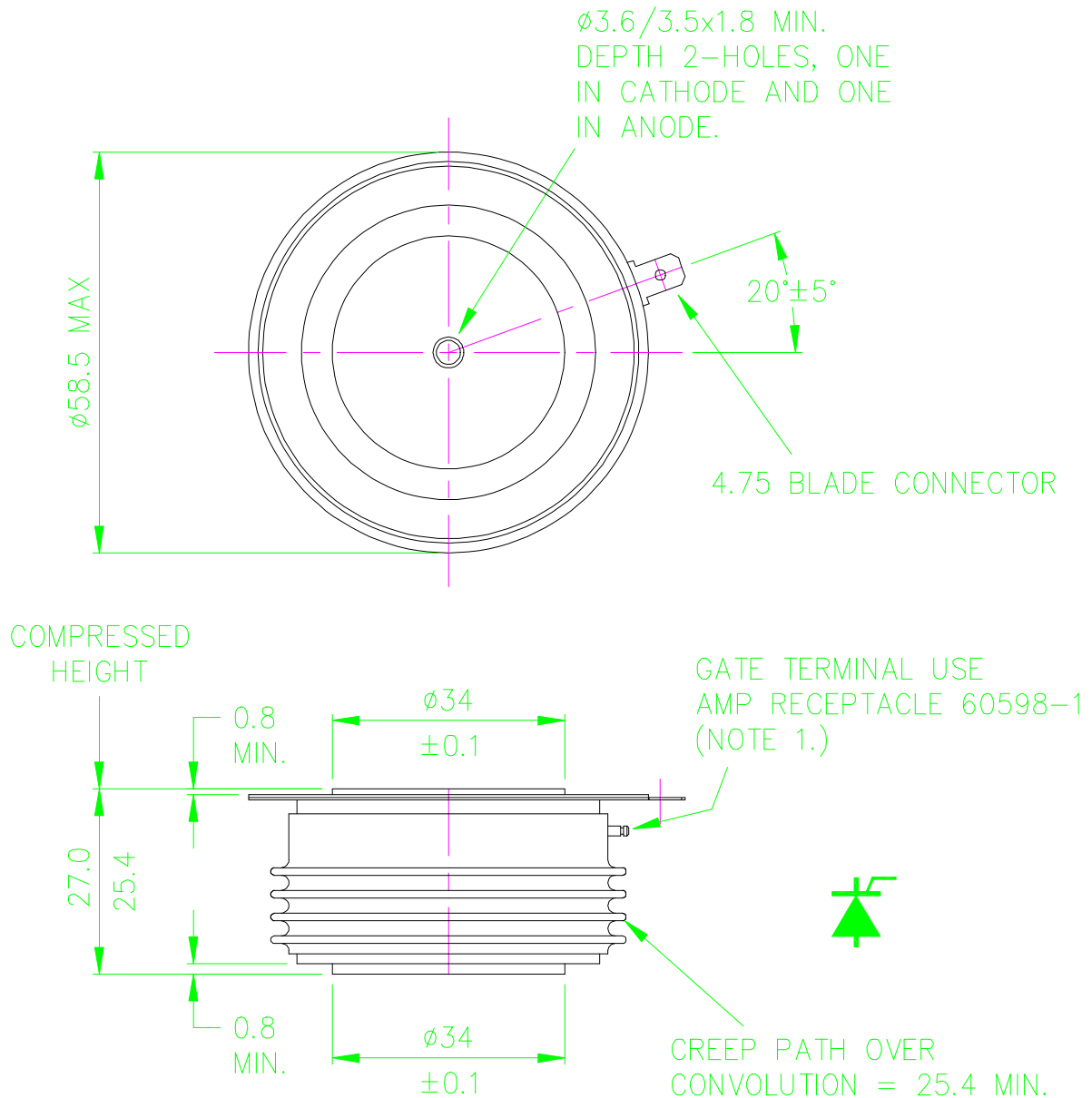


Outline Number : 101A216



**UK: Westcode Semiconductors Ltd**  
P O Box 57 Chippenham Wiltshire England SN15 1JL  
Tel: +44 (0)1249 444524 Fax: +44 (0)1249 659448  
E-Mail: WSL.sales@westcode.com

**USA: Westcode Semiconductors Inc**  
3270 Cherry Avenue Long Beach California 90807  
Tel: 562 595 6971 Fax: 562 595 8182  
E-Mail: WSI.sales@westcode.com

In the interest of product improvement, Westcode reserves the right to change specifications at any time without notice.